

HG103562 v6.00

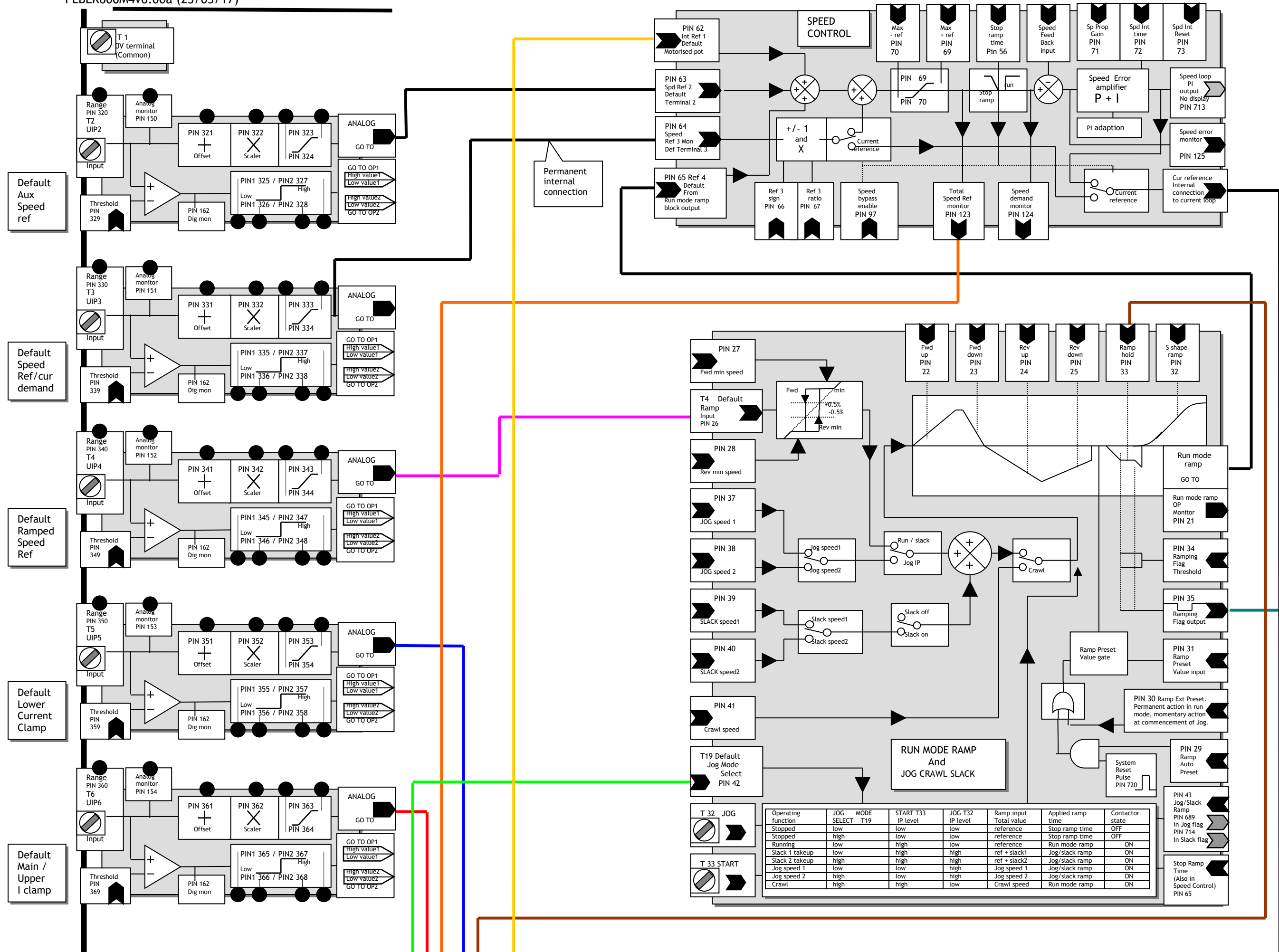
PRODUCT MANUAL: PL/X BLOCK DIAGRAM SUPPLEMENT





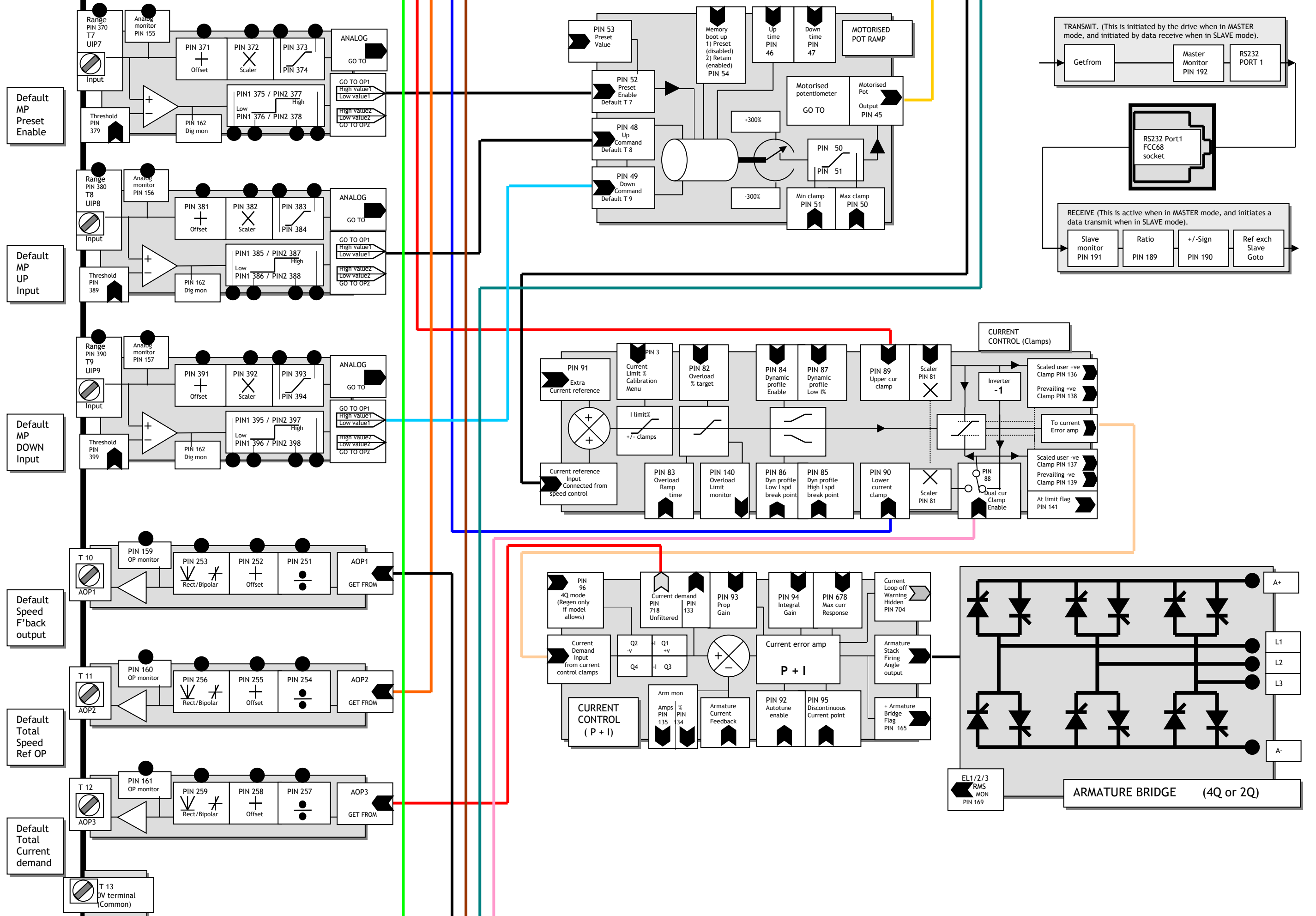
1 Default Block Diagram

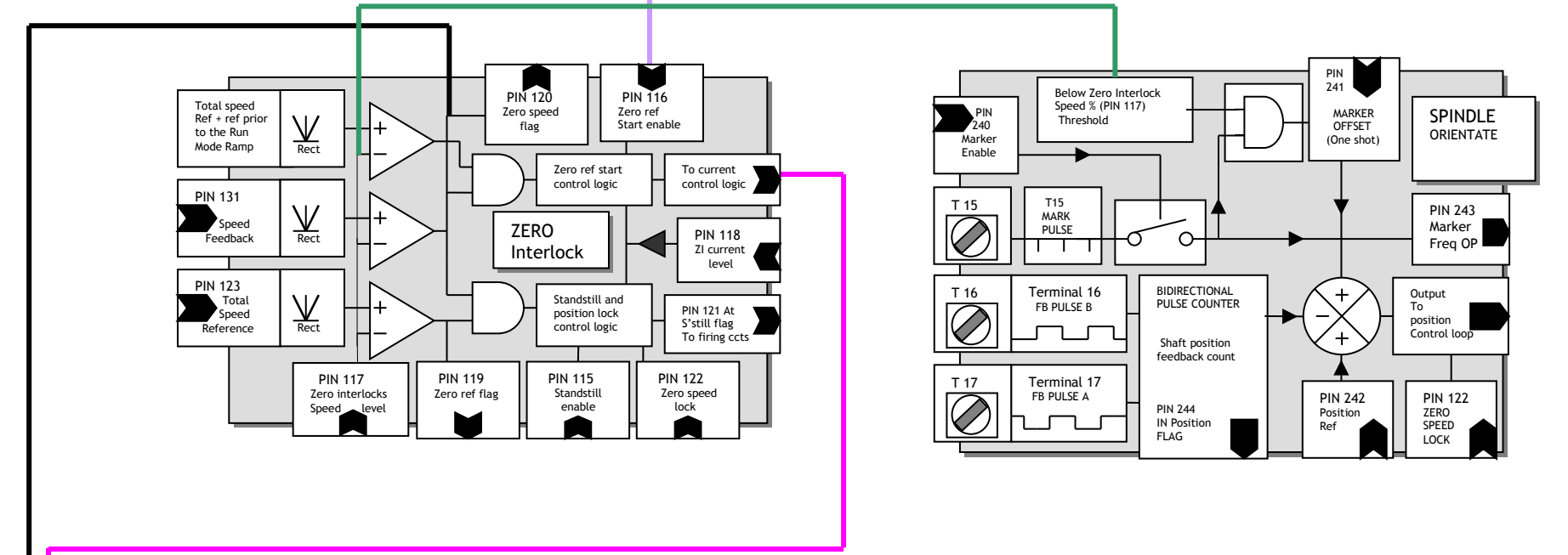
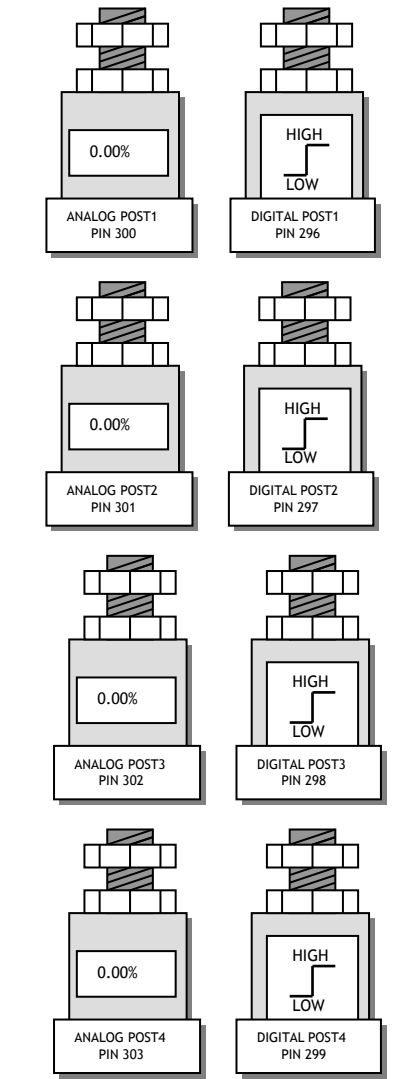
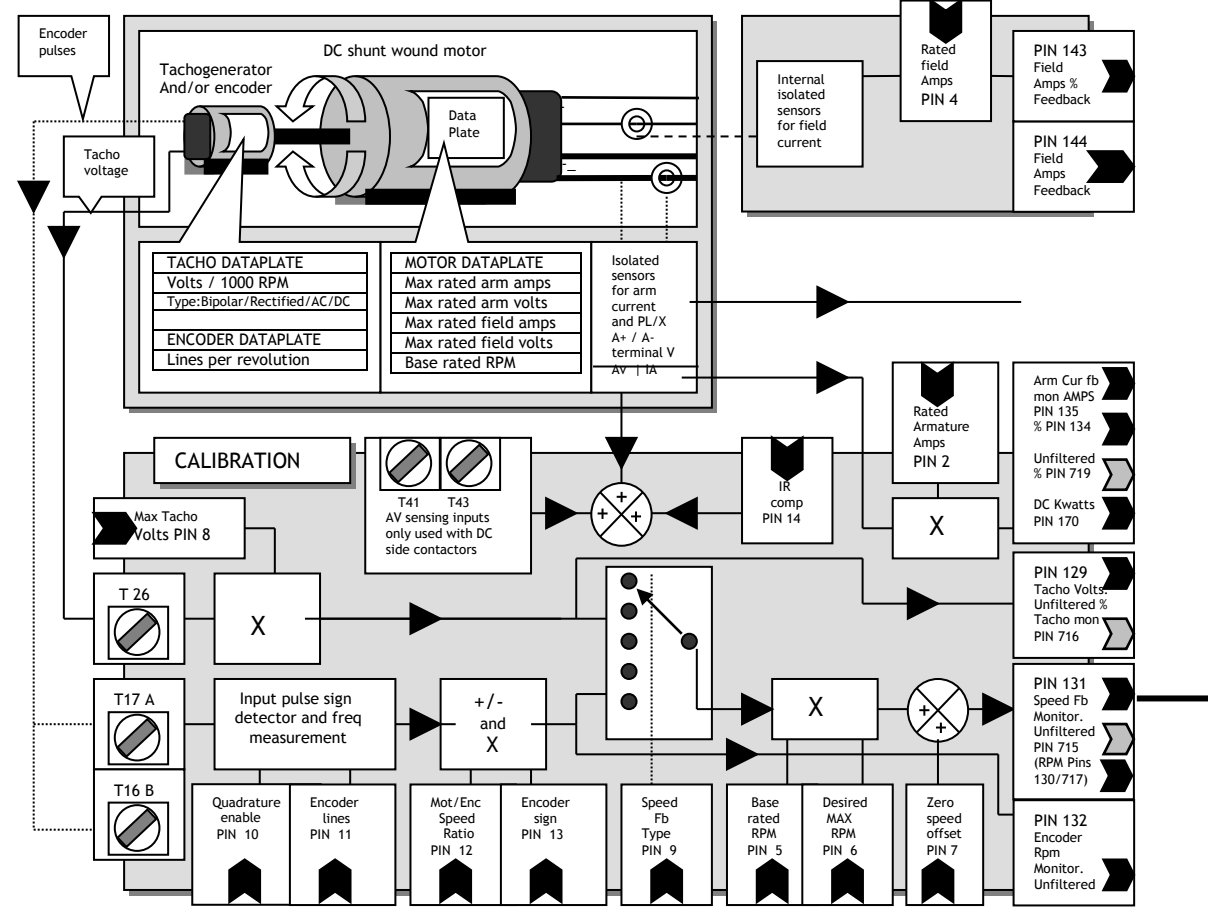
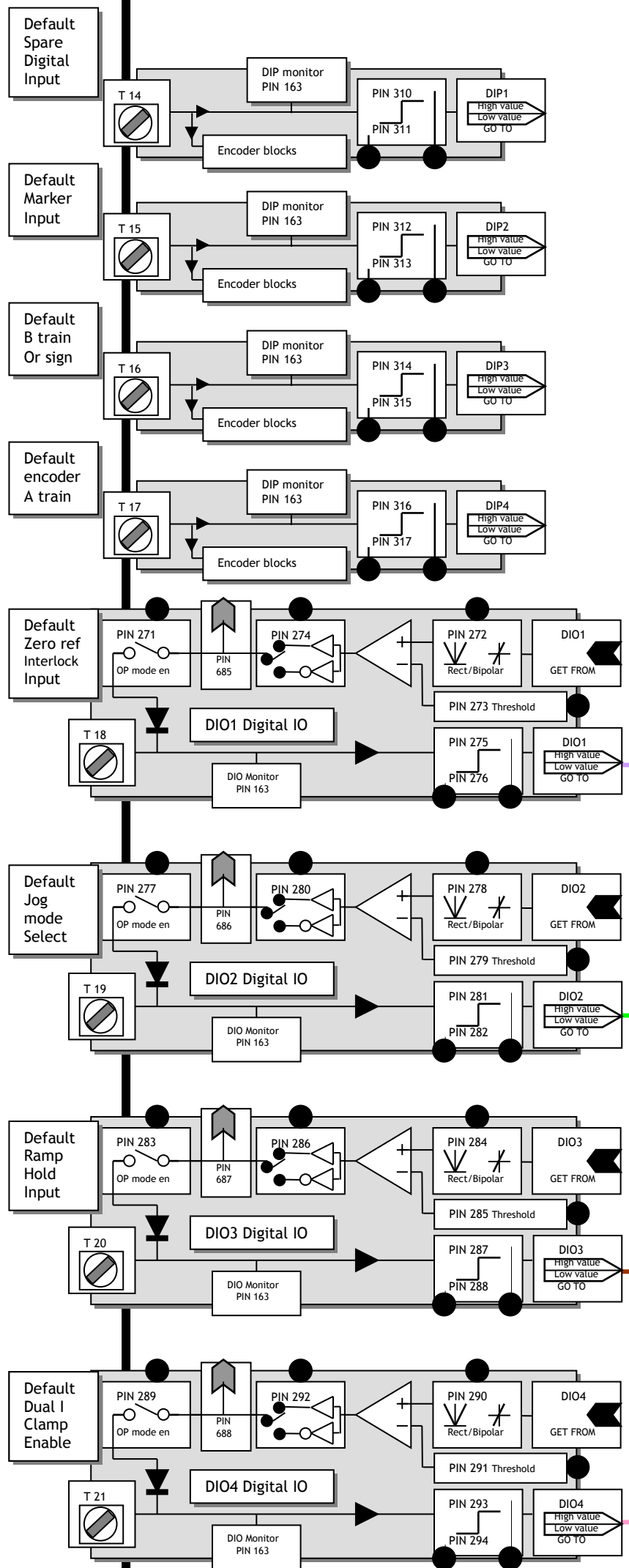
PLBLK600M4v6.00a (23/03/17)

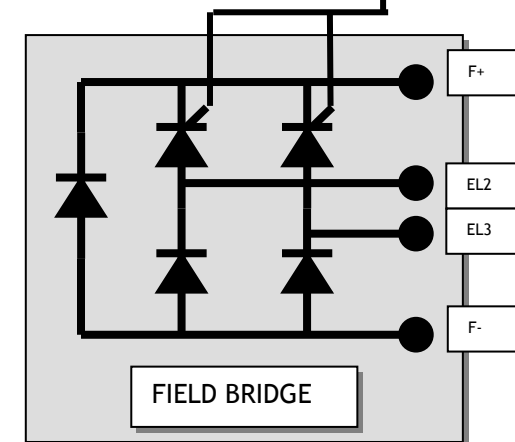
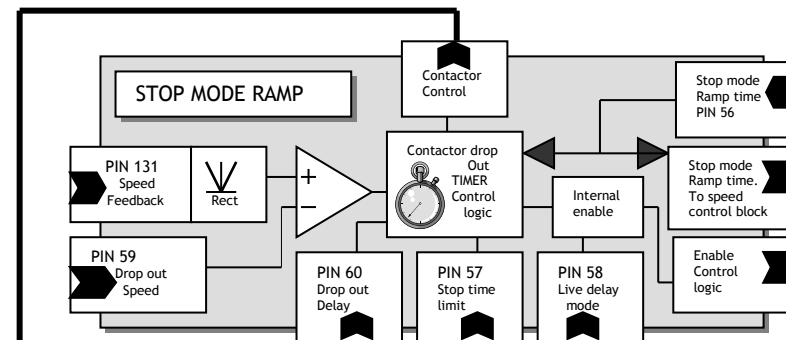
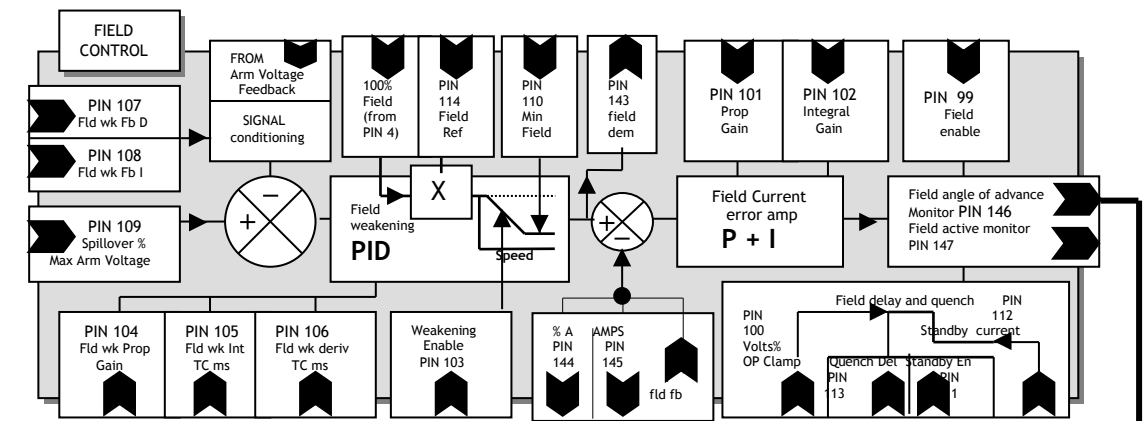
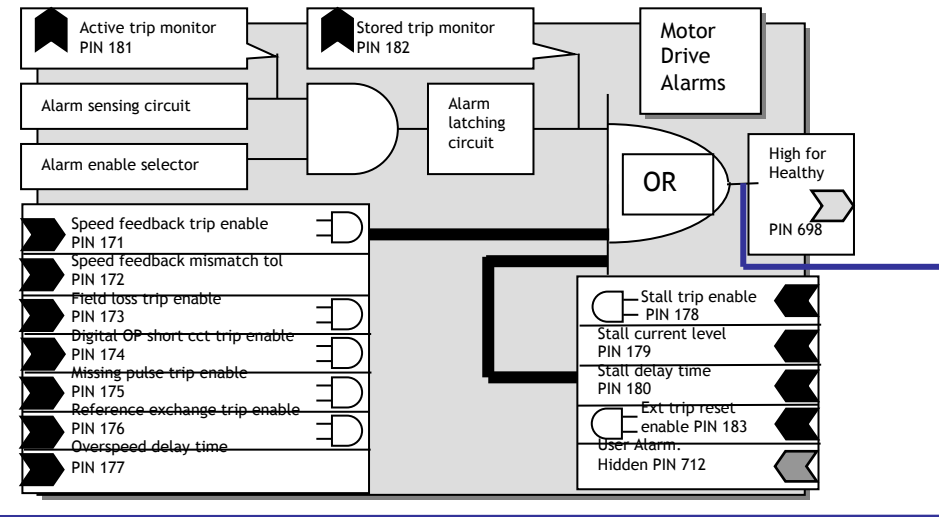
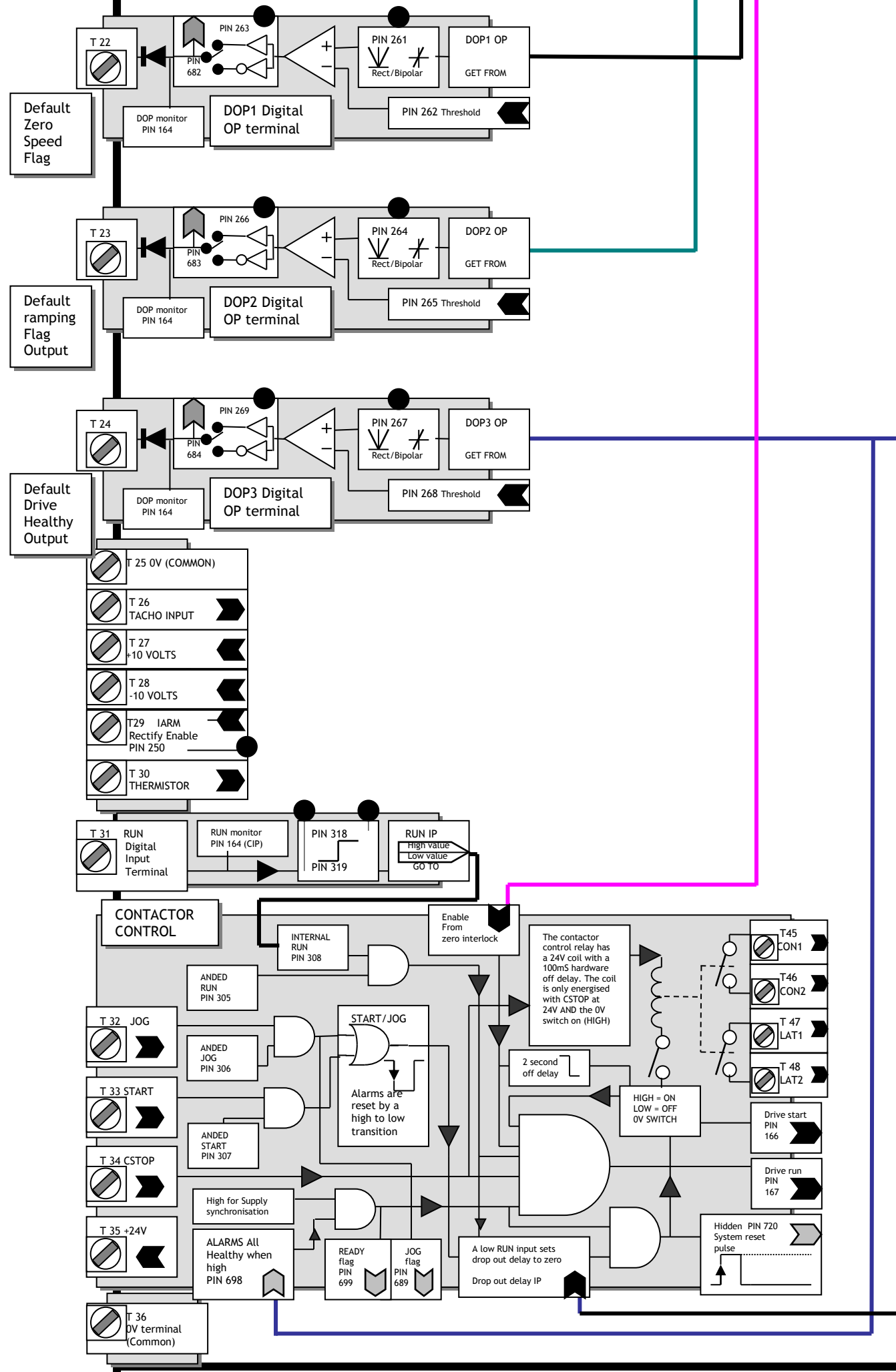


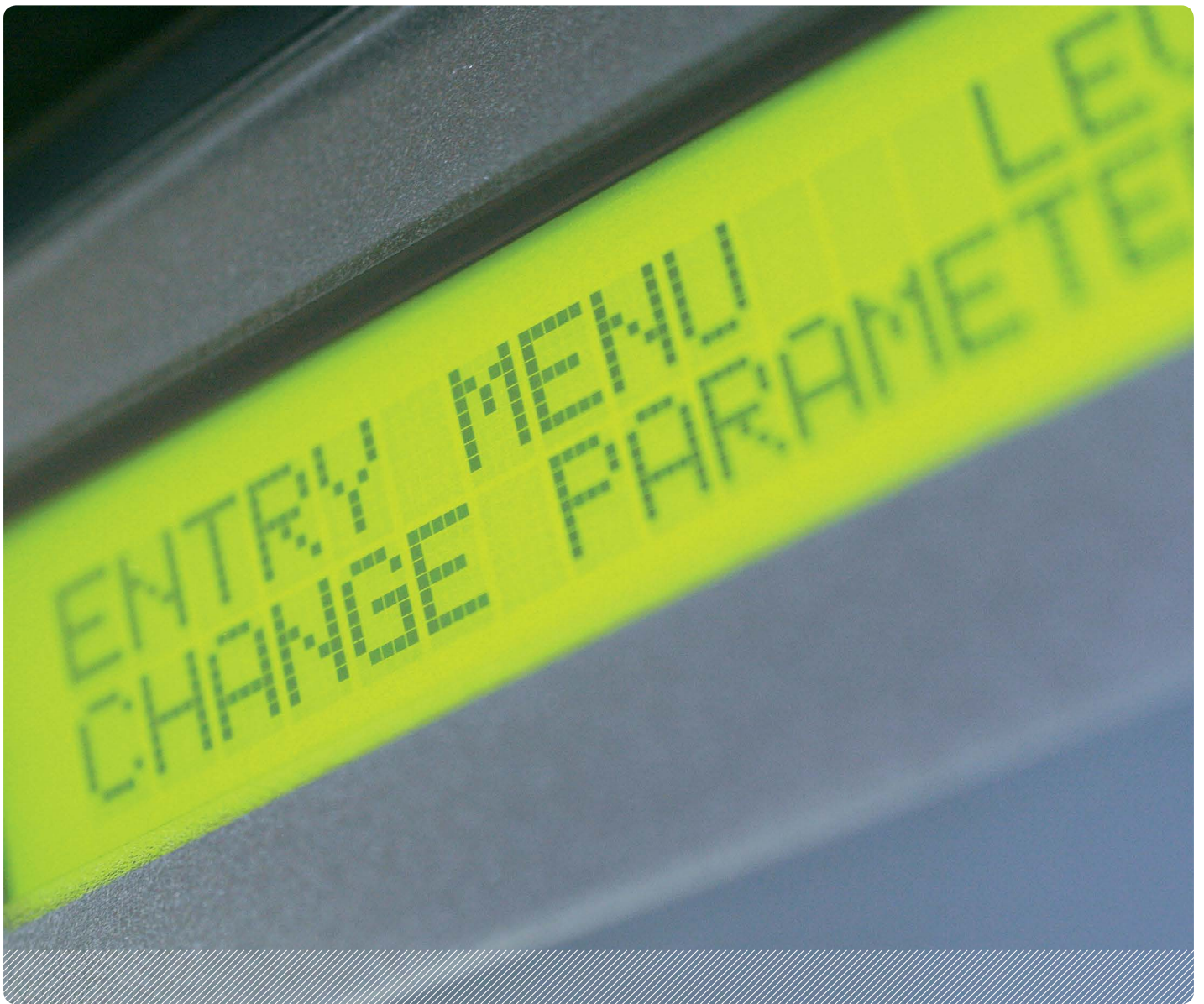
Operating function	JOG SELECT T19	START T33 IP level	JOG T32 IP level	Ramp input Total value	Applied ramp time	Contactor state
Stopped	low	low	low	reference	Stop ramp time	OFF
Stopped	high	low	low	reference	Stop ramp time	OFF
Running	low	high	low	reference	Run mode ramp	ON
Slack 1 takeover	low	high	high	ref + slack1	Jog/slack ramp	ON
Slack 2 takeover	high	high	high	ref + slack2	Jog/slack ramp	ON
Jog speed 1	low	low	high	Jog speed 1	Jog/slack ramp	ON
Jog speed 2	high	low	high	Jog speed 2	Jog/slack ramp	ON
Crawl	high	high	low	Crawl speed	Run mode ramp	ON

Default block diagram 2









Find out more:
www.sprint-electric.com

Sprint Electric Ltd. Peregrine House, Ford Lane, Ford
Arundel, West Sussex, BN18 0DF United Kingdom

Tel: +44 (0)1243 558080

Fax: +44 (0)1243 558099

Email: info@sprint-electric.com

SPRINT **ELECTRIC**
