

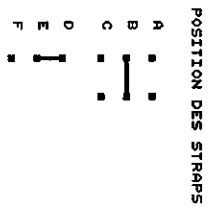
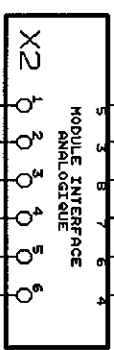
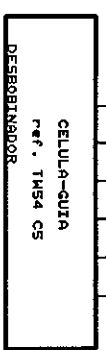
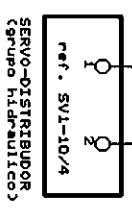
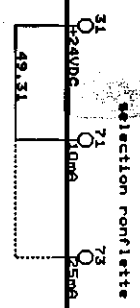
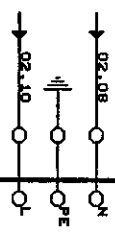


01 05 07 09 11 13 15 17 19 21 23 25 27 29

GUIA-BANDA  
EKR 1500

MAQUINA

ALIMENTACION  
250V  
(folio 23)



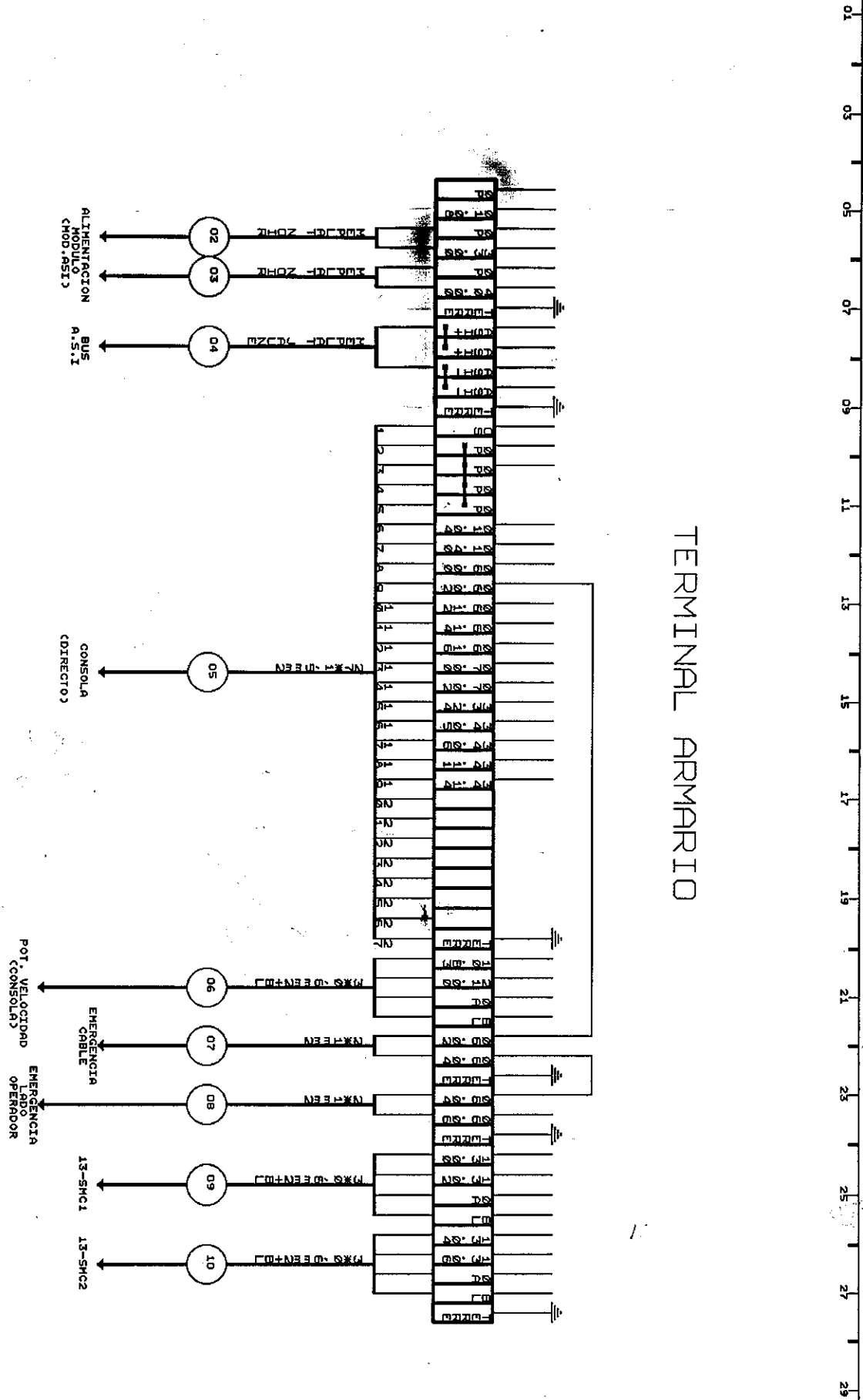
POSITION DES SWITCHS

S2-4 : ON  
S2-5 : ON

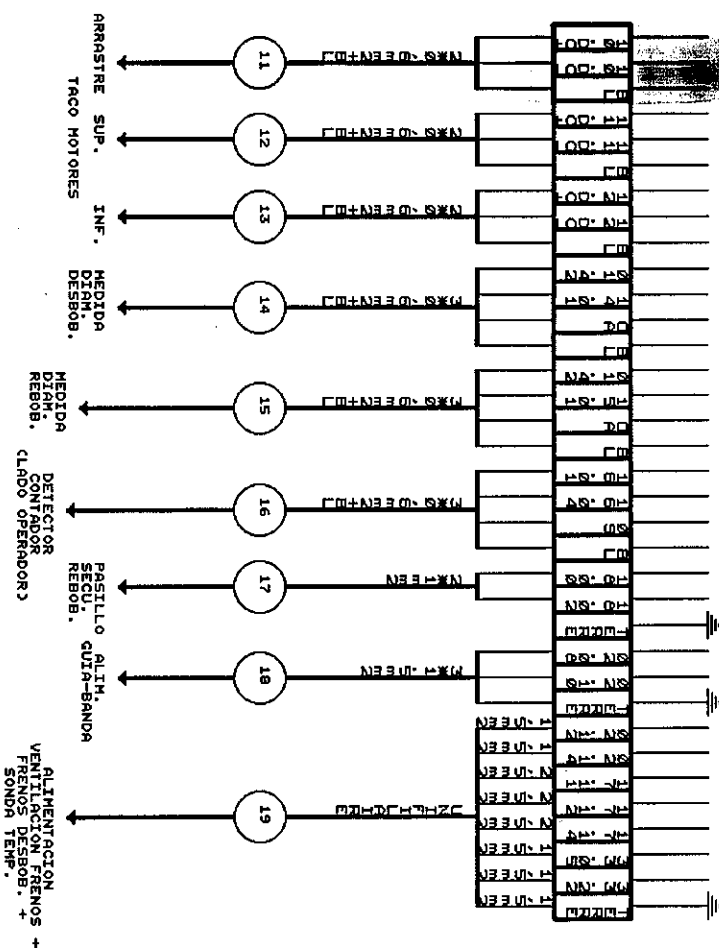
CONSOLA PRINCIPAL  
TERMINAL ANTIPIED  
TERMINAL MAQUINA



# TERMINAL ARMARIO



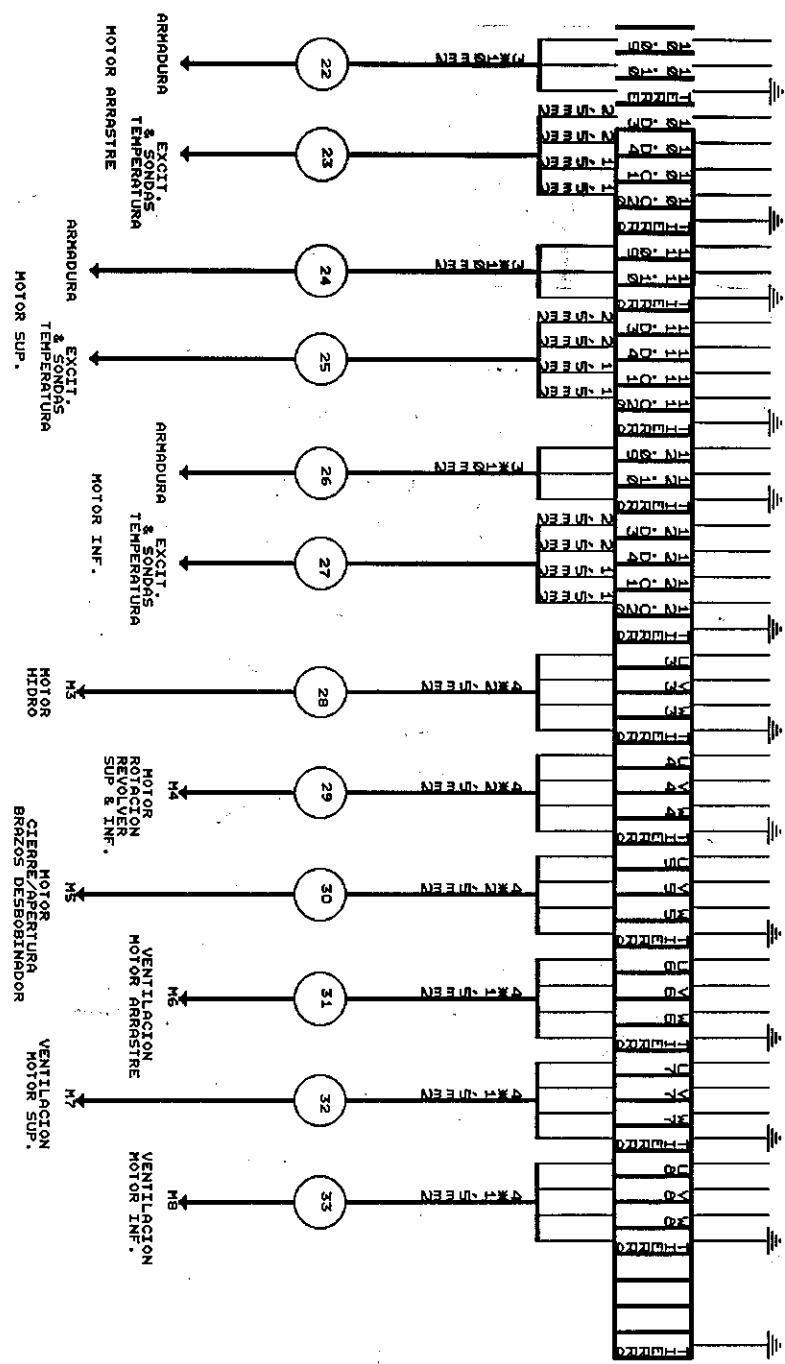
# TERMINAL ARMARIO



01 03 05 07 09 11 13 15 17 19 21 23 25 27 29



# TERMINAL POTENCIA ARMARIO



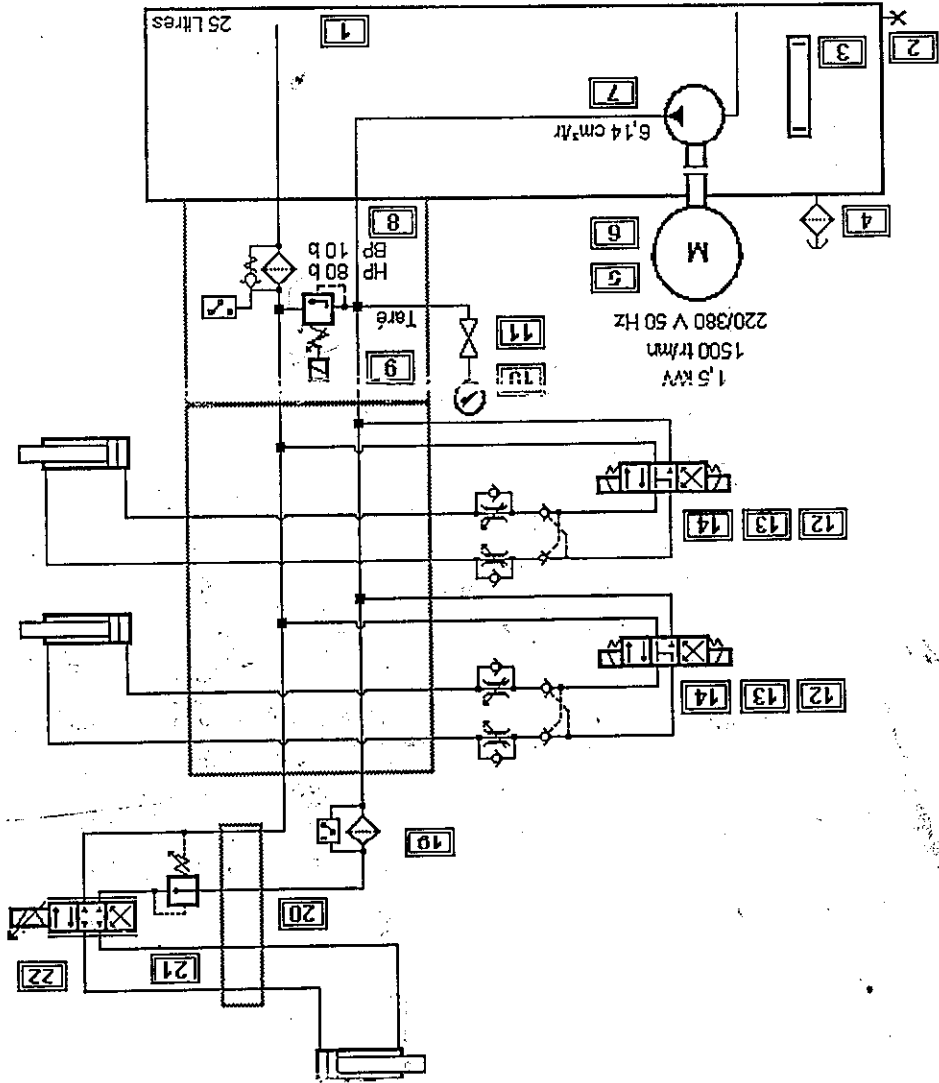
01 3 5 7 9 11 13 15 17 19 21 23 25 27 29

<input type="radio"/> 8 <input type="radio"/> 9 <input type="radio"/> 10 <input type="radio"/> 11 <input type="radio"/> 12 <input type="radio"/> 13 <input type="radio"/> 14 <input type="radio"/> 15 <input type="radio"/> 16 <input type="radio"/> 17 <input type="radio"/> 18 <input type="radio"/> 19 <input type="radio"/> 20 <input type="radio"/> 21 <input type="radio"/> 22 <input type="radio"/> 23 <input type="radio"/> 24 <input type="radio"/> 25 <input type="radio"/> 26 <input type="radio"/> 27 <input type="radio"/> 28 <input type="radio"/> 29 <input type="radio"/> 30 <input type="radio"/> 31 <input type="radio"/> 32 <input type="radio"/> 33 <input type="radio"/> 34 <input type="radio"/> 35 <input type="radio"/> 36 <input type="radio"/> 37 <input type="radio"/> 38 <input type="radio"/> 39 <input type="radio"/> 40 <input type="radio"/> 41 <input type="radio"/> 42 <input type="radio"/> 43 <input type="radio"/> 44 <input type="radio"/> 45 <input type="radio"/> 46 <input type="radio"/> 47 <input type="radio"/> 48 <input type="radio"/> 49 <input type="radio"/> 50 <input type="radio"/> 51 <input type="radio"/> 52 <input type="radio"/> 53 <input type="radio"/> 54 <input type="radio"/> 55	<input type="radio"/> 56 <input type="radio"/> 57 <input type="radio"/> 58 <input type="radio"/> 59 <input type="radio"/> 60 <input type="radio"/> 61 <input type="radio"/> 62 <input type="radio"/> 63 <input type="radio"/> 64 <input type="radio"/> 65 <input type="radio"/> 66 <input type="radio"/> 67 <input type="radio"/> 68 <input type="radio"/> 69 <input type="radio"/> 70 <input type="radio"/> 71 <input type="radio"/> 72 <input type="radio"/> 73 <input type="radio"/> 74 <input type="radio"/> 75 <input type="radio"/> 76 <input type="radio"/> 77 <input type="radio"/> 78 <input type="radio"/> 79 <input type="radio"/> 80 <input type="radio"/> 81 <input type="radio"/> 82 <input type="radio"/> 83 <input type="radio"/> 84 <input type="radio"/> 85 <input type="radio"/> 86 <input type="radio"/> 87 <input type="radio"/> 88 <input type="radio"/> 89 <input type="radio"/> 90 <input type="radio"/> 91 <input type="radio"/> 92 <input type="radio"/> 93 <input type="radio"/> 94 <input type="radio"/> 95 <input type="radio"/> 96 <input type="radio"/> 97 <input type="radio"/> 98 <input type="radio"/> 99 <input type="radio"/> 100 <input type="radio"/> 101 <input type="radio"/> 102 <input type="radio"/> 103	<input type="radio"/> 104 <input type="radio"/> 105 <input type="radio"/> 106 <input type="radio"/> 107 <input type="radio"/> 108 <input type="radio"/> 109 <input type="radio"/> 110 <input type="radio"/> 111 <input type="radio"/> 112 <input type="radio"/> 113 <input type="radio"/> 114 <input type="radio"/> 115 <input type="radio"/> 116 <input type="radio"/> 117 <input type="radio"/> 118 <input type="radio"/> 119	<input type="radio"/> 120 <input type="radio"/> 121 <input type="radio"/> 122 <input type="radio"/> 123 <input type="radio"/> 124 <input type="radio"/> 125 <input type="radio"/> 126 <input type="radio"/> 127 <input type="radio"/> 128 <input type="radio"/> 129 <input type="radio"/> 130 <input type="radio"/> 131 <input type="radio"/> 132 <input type="radio"/> 133 <input type="radio"/> 134 <input type="radio"/> 135 <input type="radio"/> 136 <input type="radio"/> 137 <input type="radio"/> 138 <input type="radio"/> 139 <input type="radio"/> 140 <input type="radio"/> 141 <input type="radio"/> 142 <input type="radio"/> 143 <input type="radio"/> 144 <input type="radio"/> 145 <input type="radio"/> 146 <input type="radio"/> 147 <input type="radio"/> 148 <input type="radio"/> 149 <input type="radio"/> 150 <input type="radio"/> 151 <input type="radio"/> 152 <input type="radio"/> 153 <input type="radio"/> 154 <input type="radio"/> 155 <input type="radio"/> 156 <input type="radio"/> 157 <input type="radio"/> 158 <input type="radio"/> 159 <input type="radio"/> 160
--	--	--	---

- SUPPLY 24VDC
- BATTERY
- MATCH DOG
- RUN
- HALT
- ERROR

UTEGO/USINECA Tel: 01 60 62 51 51  
 Title: CARA FRONTAL AUTOMATA B UBICACIONI  
 Size Document Number: MACHINE TYPE DBB 167  
 Date: JANUARY 26, 1999 Sheet 60 of 60





G.R. le : 21/02/1996

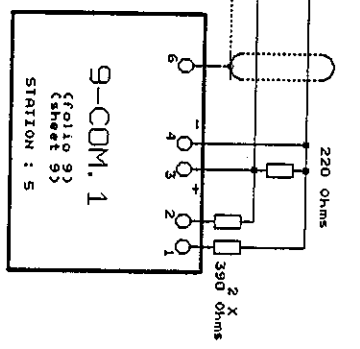
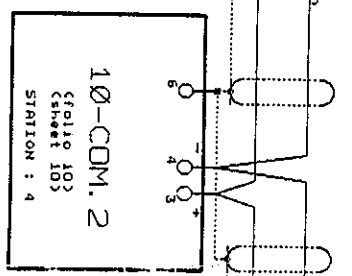
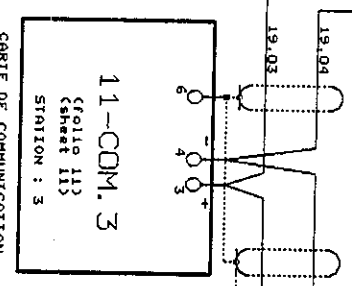
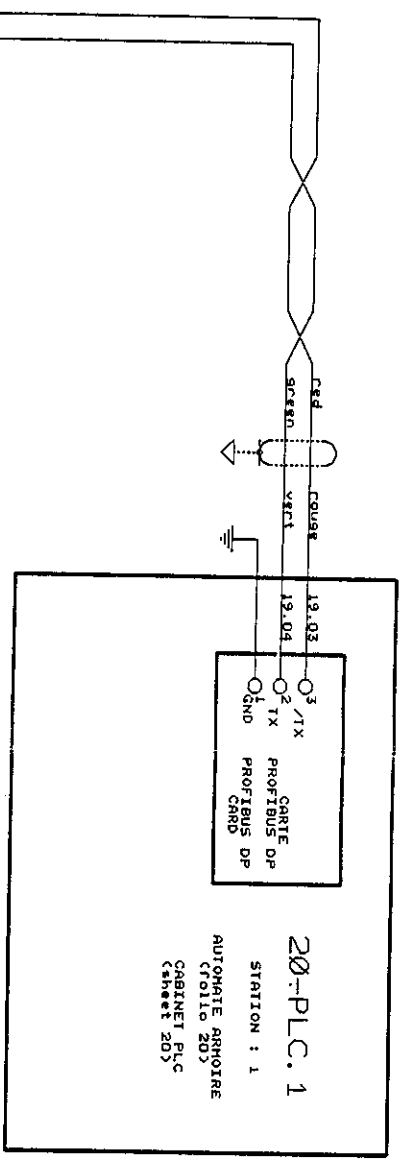
**Affaire N° 5053**

*Hirvich*

**UTECO**  **USIMECA** 



01 3 5 7 9 11 13 15 17 19 21 23 25 27 29

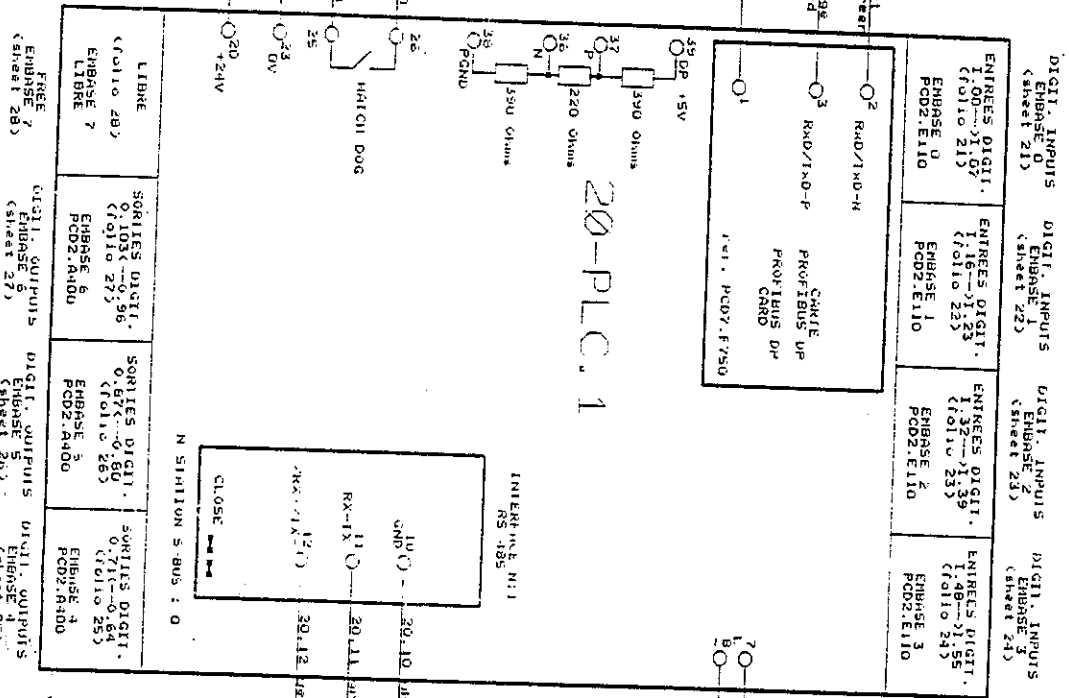


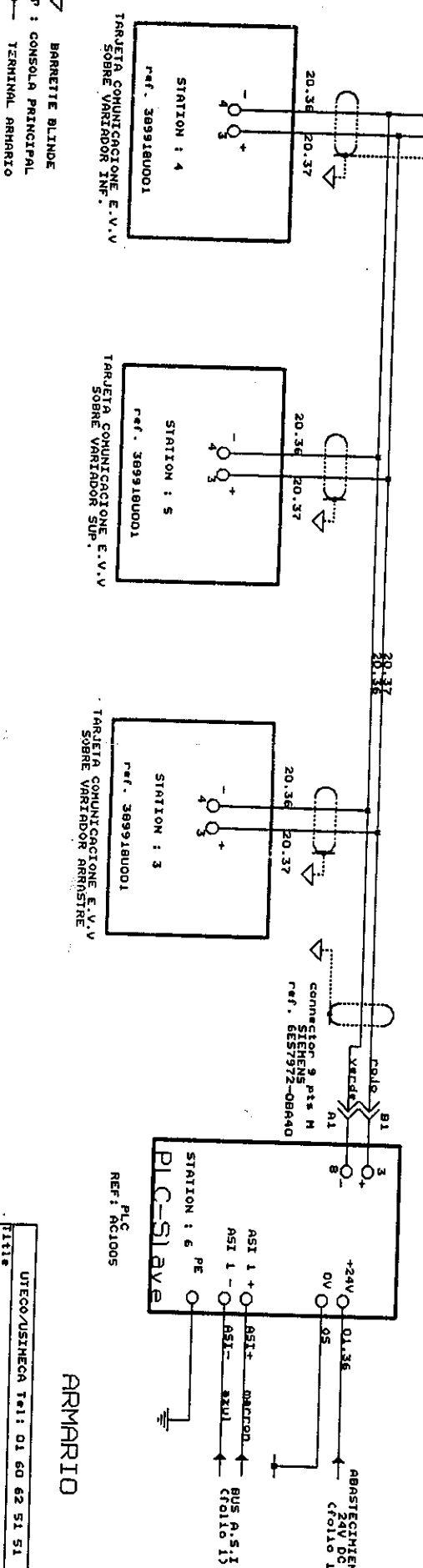
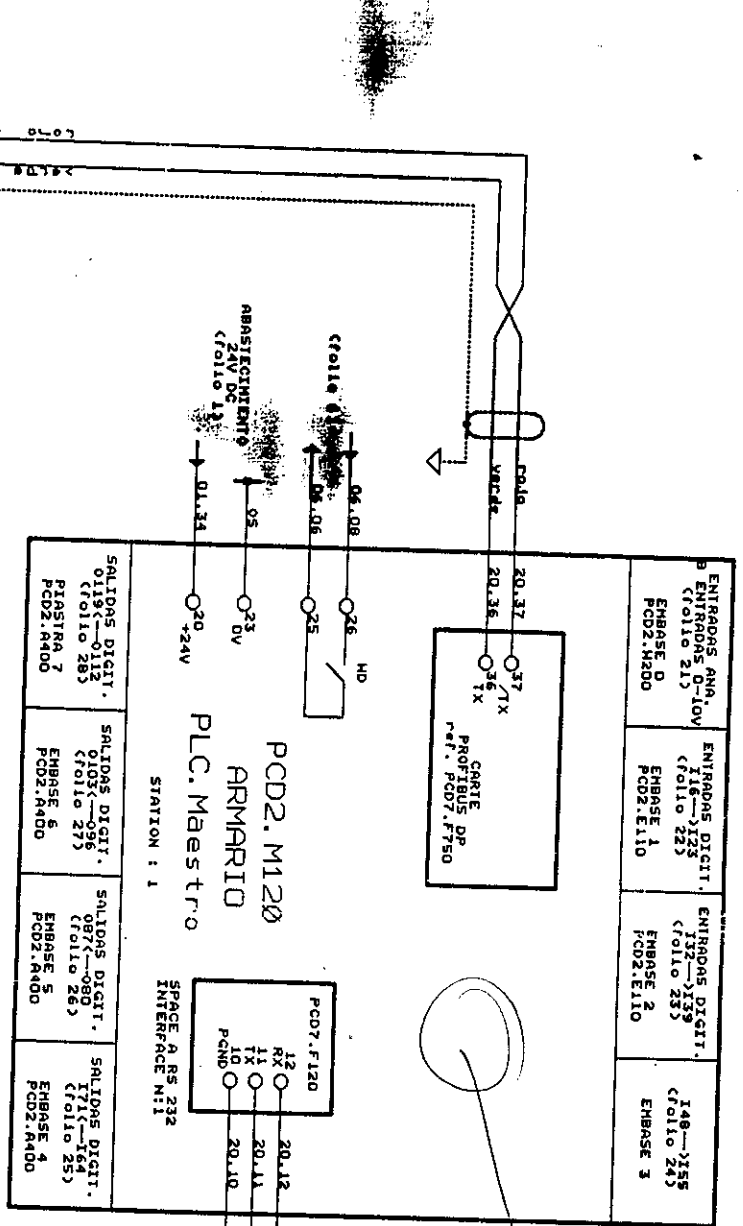
ARMOIRE

UTECO/USINECA Tel: 01 60 62 51 51	
PROFIBUS NETWORK	
Size/Document Number	MACHINE TYPE OAS 303
Date: FEBRUARY 26, 2003/Sheet	19 of 69
REV	A

RESERVA  
PROFIBUS DP  
(folio 19)  
PROFIBUS DP  
NETWORK  
(sheet 19)

CIRCUIT 870.  
EMERGENCY STOP  
CIRCUIT  
(sheet 6)  
SUPPLY 24 VDC  
(sheet 13)





▽ BARRETTE BLINDE  
 ○ CP : CONSOLA PRINCIPAL  
 ○ TERMINAL ARMARIO  
 ○ TERMINAL MAQUINA

**ARMARIO**

UTECO/USTINEGA Tel: 01 60 62 51 51

CONEXION DE LOS AUTOMATAS

Size Document Number: HCHANE TYPE DAB 167

Date: JANUARY 25, 1993

Page: 20 of 20