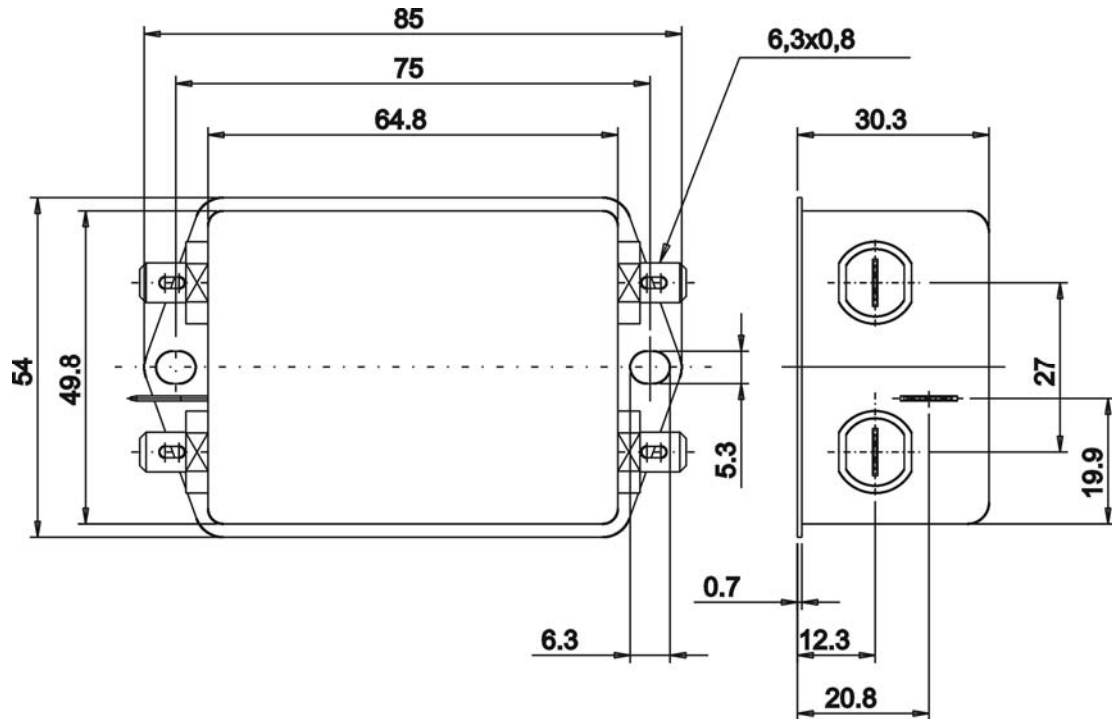
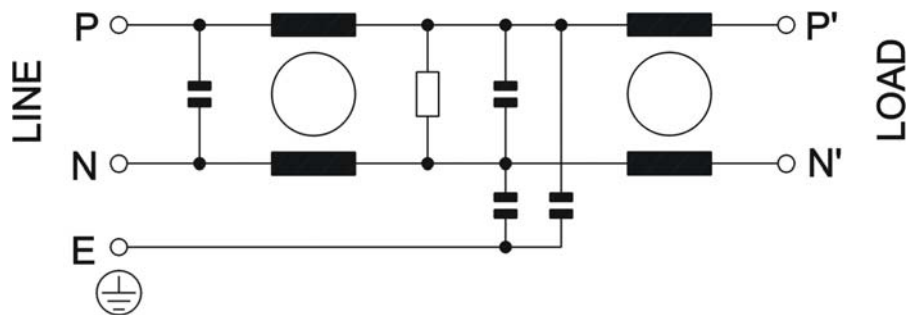


## 1phases line filter LNF RA \*230/001

dimensions



circuit diagram



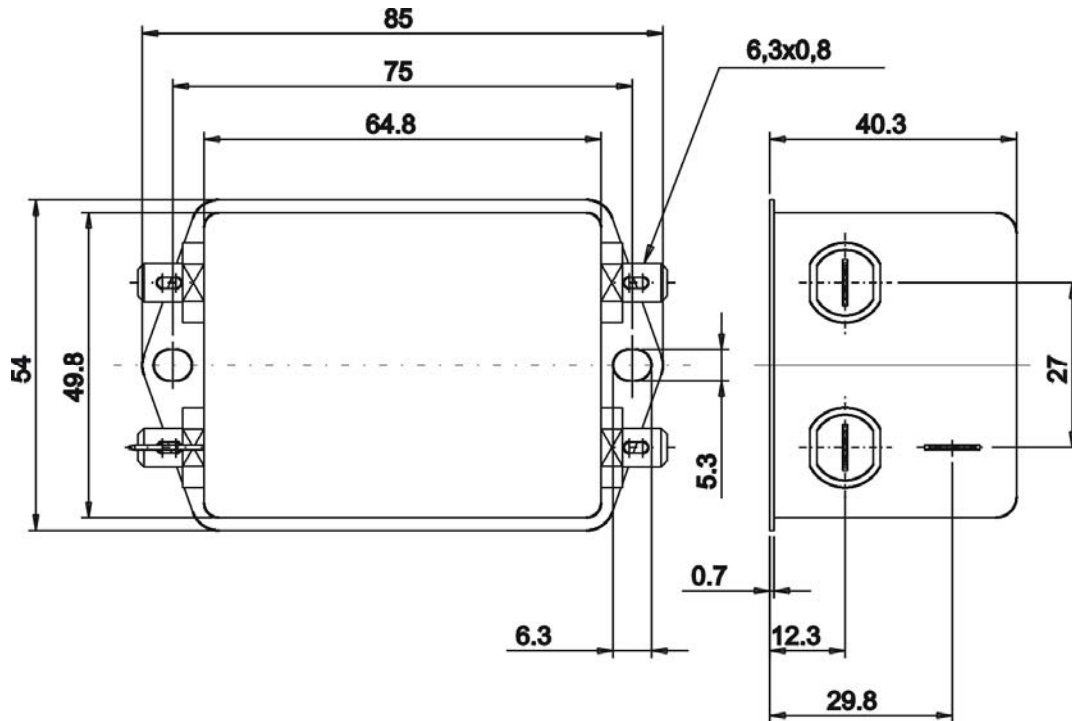
data	
rated current	<b>1A</b>
at an ambient temperature	40°C
rated voltage	250V 50/60Hz
operating frequency	max. 60Hz
worst case leakage current	230VAC 50Hz
voltage at neutral=voltage at phase	
tolerance of capacitor +20%	$I_{max} 2x0,4mA$
DC-resistance	$2x160m\Omega$
temperature range	-25°C at +100°C
weight	0,19kg
tolerance for dimensions	DIN 7168 medium
electrical connection	Faston-plug

**application:**  
only for low discharge current permissible

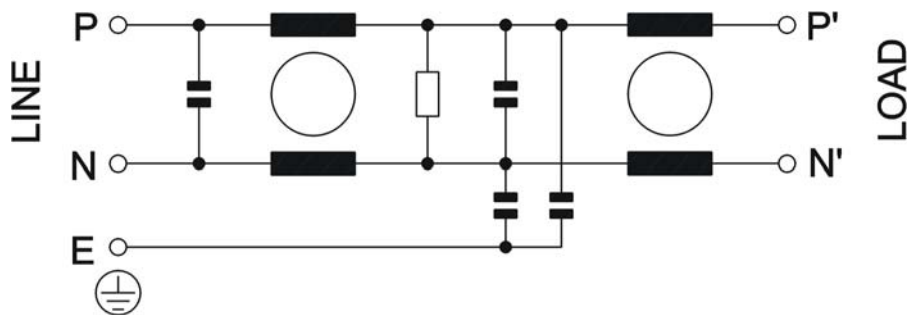
**products:**  
servo drive 631-001 special modification

## 1phases line filter LNF RA \*230/003

dimensions



circuit diagram



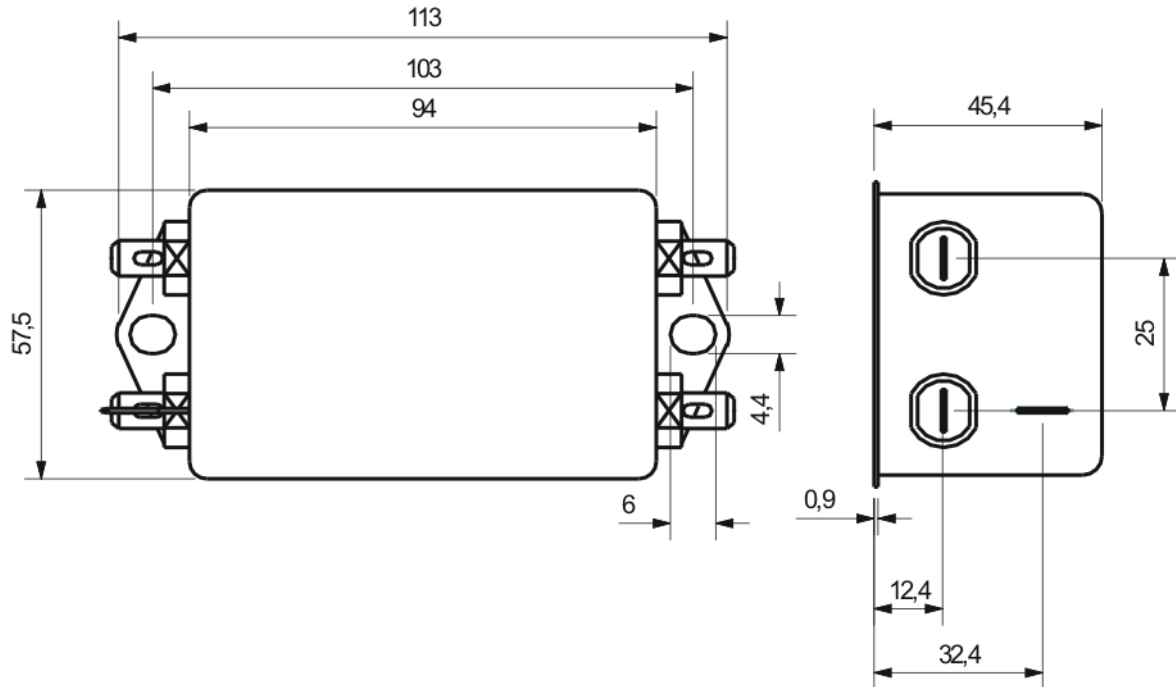
data	
rated current	<b>3A</b>
at an ambient temperature	40°C
rated voltage	250V 50/60Hz
operating frequency	max. 60Hz
worst case leakage current	230VAC 50Hz
voltage at neutral=voltage at phase	
tolerance of capacitor +20%	I <sub>max</sub> 2x0,4mA
DC-resistance	2x160mΩ
temperature range	-25°C at +100°C
weight	0,25kg
tolerance for dimensions	DIN 7168 medium
electrical connection	Faston-plug

**application:**  
only for low discharge current permissible

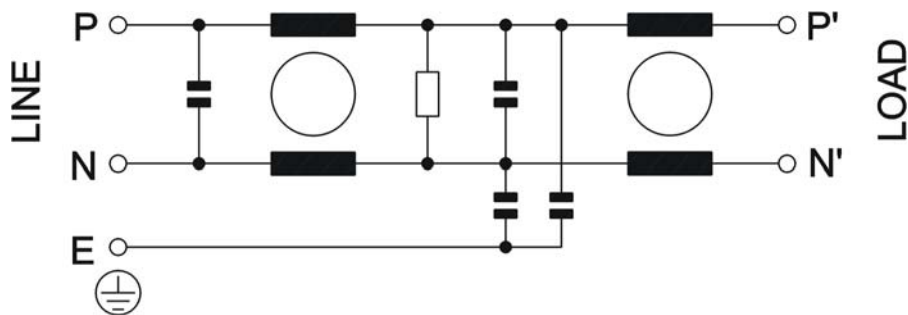
**products:**  
servo drive 631-001 modification  
servo drive 631-002 modification

## 1phases line filter LNF RA \*230/006

dimensions



circuit diagram



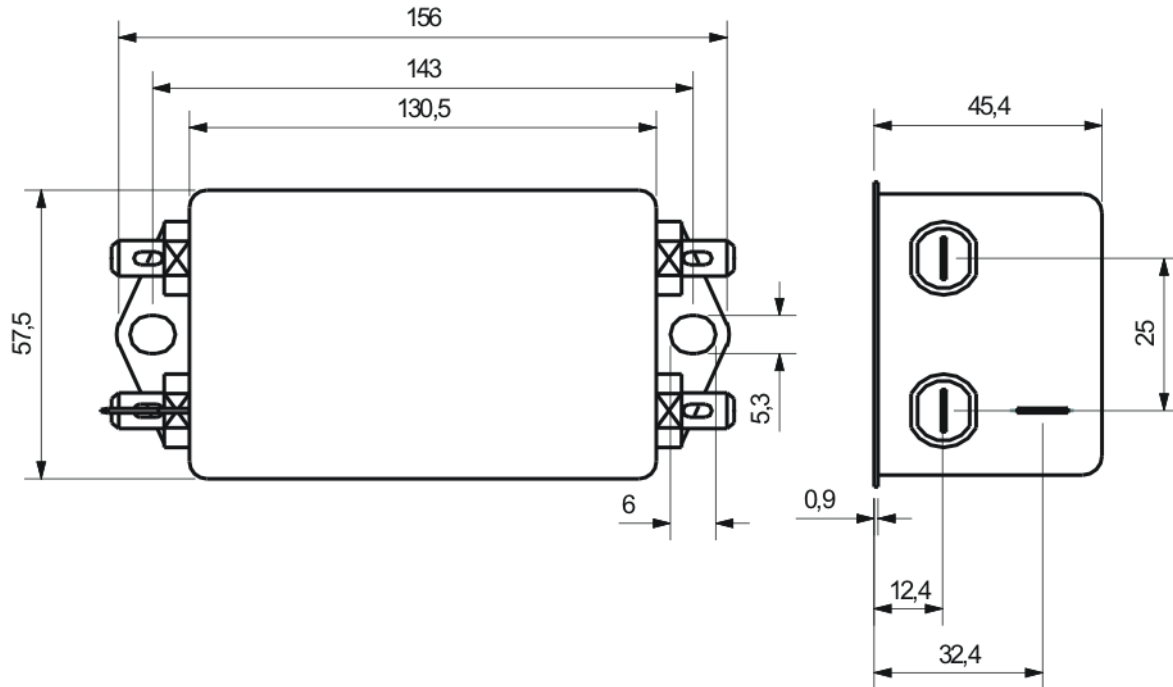
data	
rated current	<b>6A</b>
at an ambient temperature	40°C
rated voltage	250V 50/60Hz
operating frequency	max. 60Hz
worst case leakage current	230VAC 50Hz
voltage at neutral=voltage at phase	
tolerance of capacitor +20%	$I_{max} 2 \times 0,4mA$
DC-resistance	2x165mΩ
temperature range	-25°C at +100°C
weight	0,45kg
tolerance for dimensions	DIN 7168 medium
electrical connection	Faston-plug

**application:**  
only for low discharge current permissible

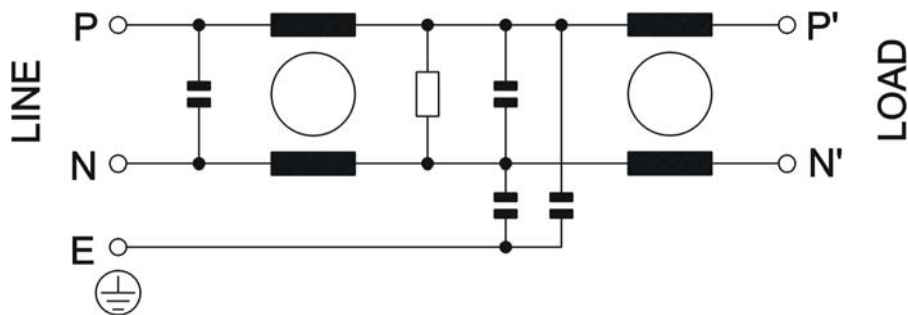
**products:**  
servo drive 631-0004 modification  
servo drive 631-0006 modification

## 1phases line filter LNF RA \*230/012

dimensions



circuit diagram



**data**

rated current	<b>12A</b>
at an ambient temperature	40°C
rated voltage	250V 50/60Hz
operating frequency	max. 60Hz
worst case leakage current	230VAC 50Hz
voltage at neutral=voltage at phase	
tolerance of capacitor +20%	I <sub>max</sub> 2x0,4mA
DC-resistance	2x165mΩ
temperature range	-25°C at +100°C
weight	0,73kg
tolerance for dimensions	DIN 7168 medium
electrical connection	Faston-plug

**application:**

only for low discharge current permissible

**products:**

- drive group on one filter
- servo drive 631-0001 modification
- servo drive 631-0002 modification
- servo drive 631-0004 modification
- servo drive 631-0006 modification