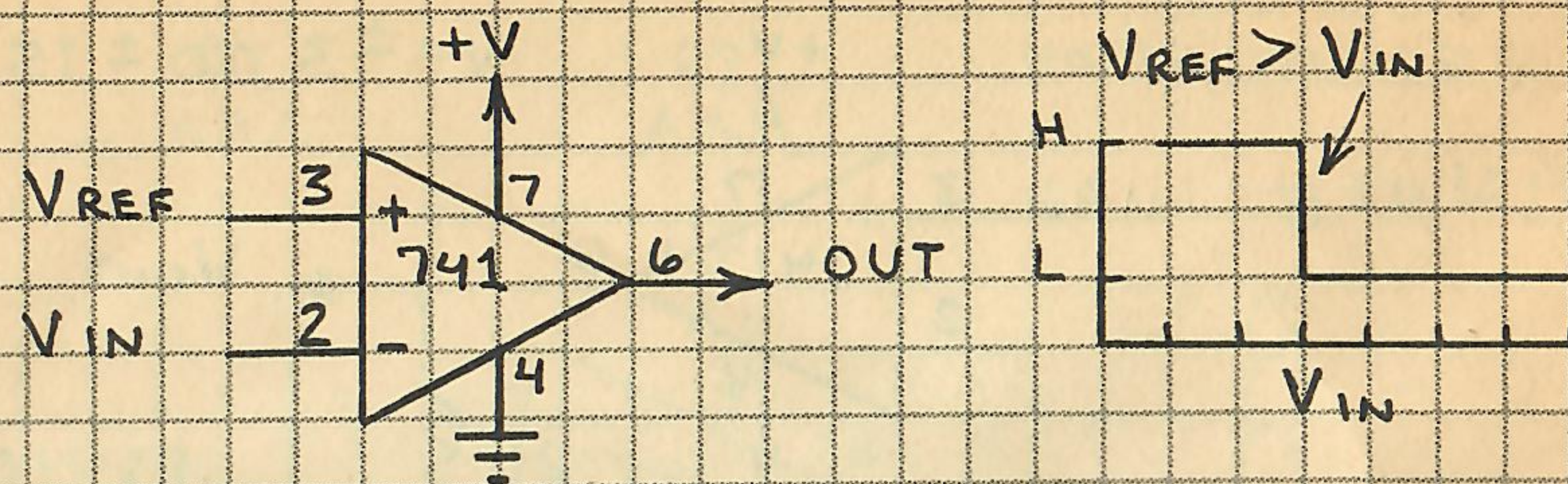
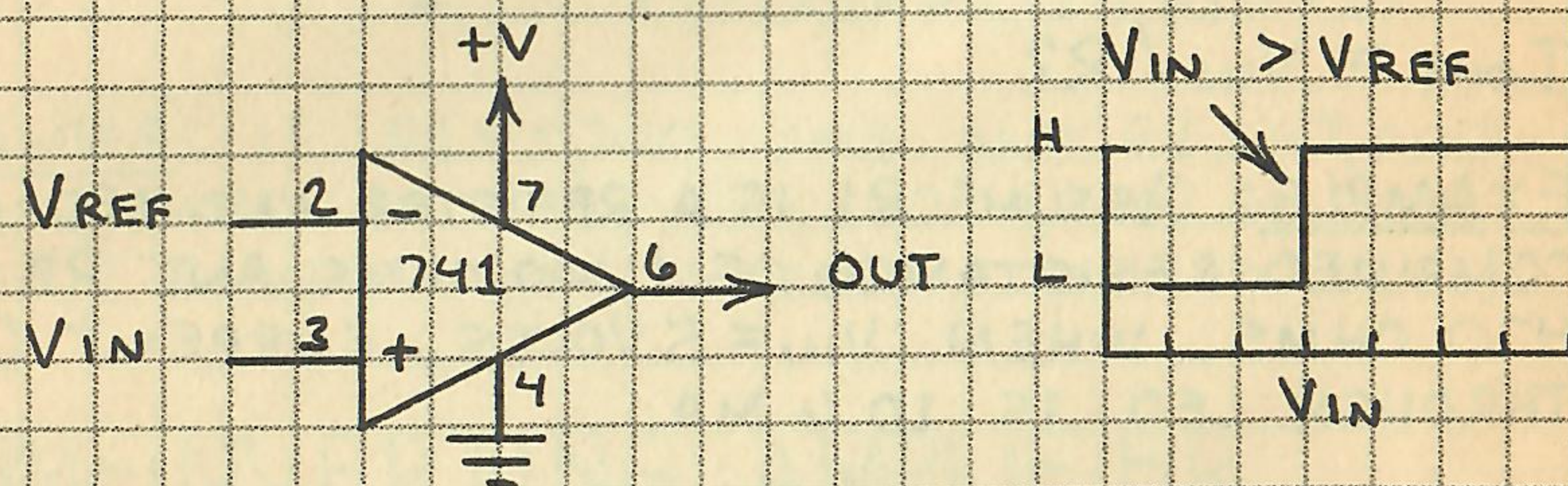


# INVERTING COMPARATOR



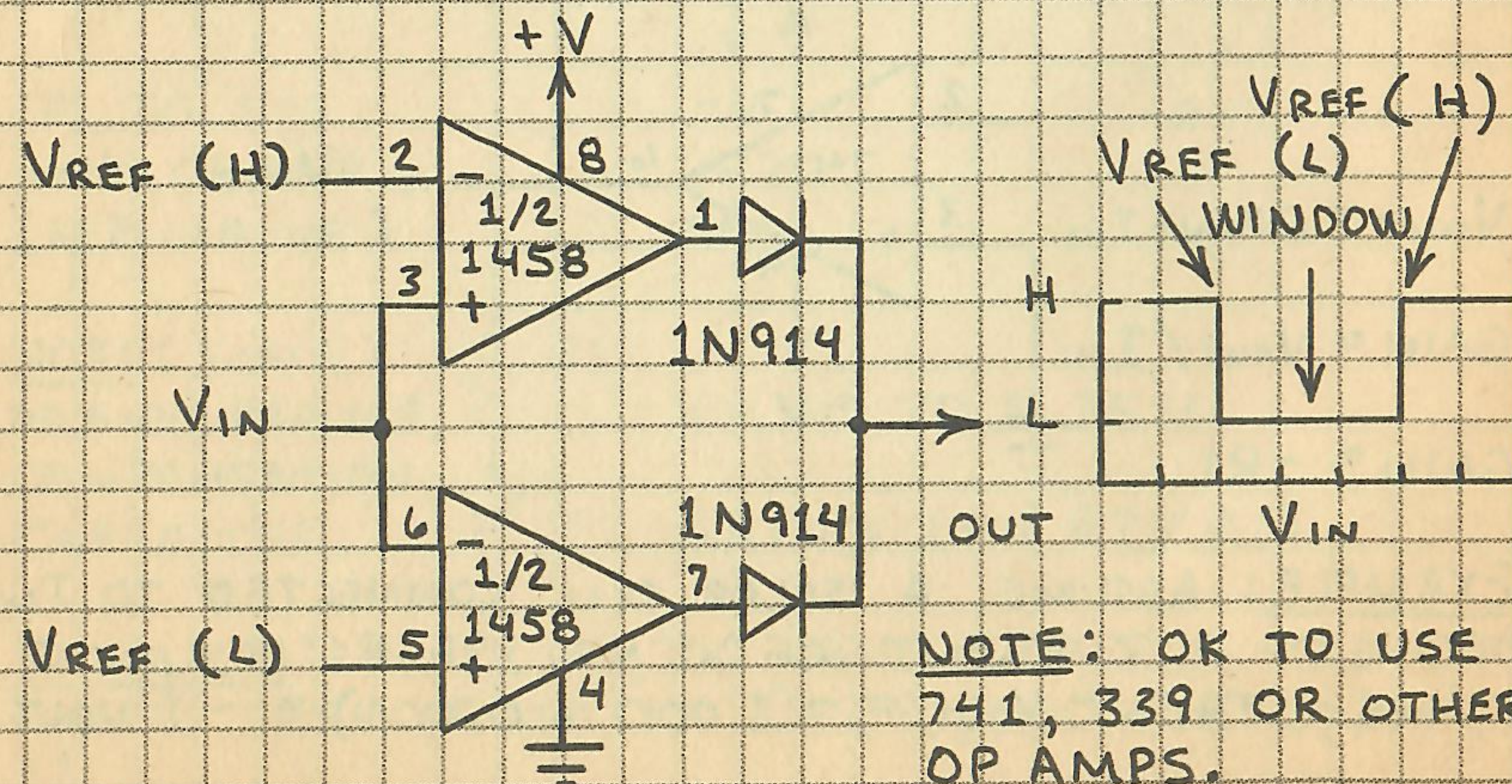
WHEN  $V_{REF}$  EXCEEDS  $V_{IN}$ , OUTPUT SWINGS FROM HIGH TO LOW.

# NON-INVERTING COMPARATOR

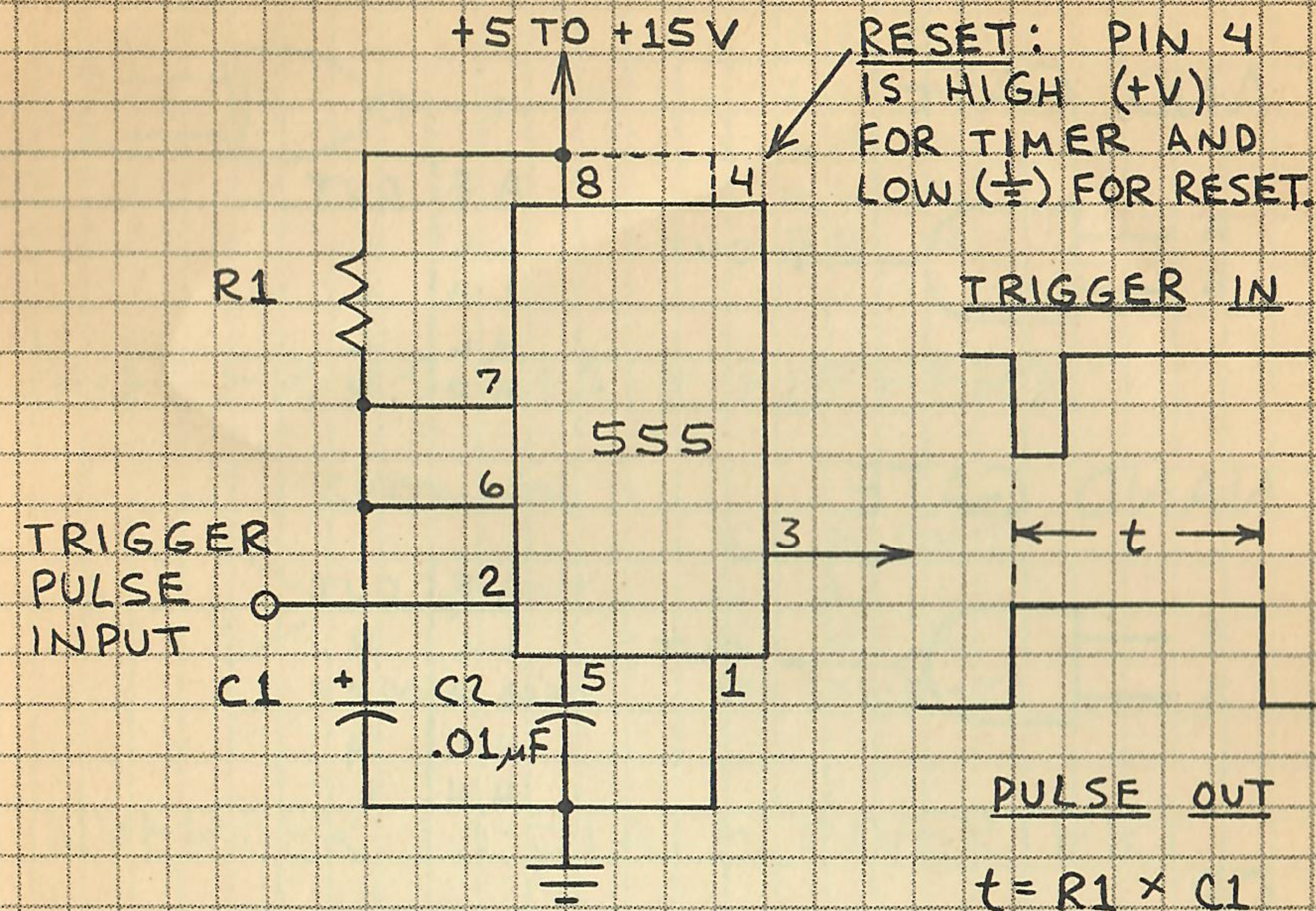


WHEN  $V_{IN}$  EXCEEDS  $V_{REF}$ , OUTPUT SWINGS FROM LOW TO HIGH.

# WINDOW COMPARATOR



# TIMER



# PULSE GENERATOR

